

Global Service 全球联保

South Africa

Nouum (Pty) Ltd

51 Auckland Street, Paarden Eiland 7405,
Cape Town, Western Cape, South Africa
Tel: +27 21 201 1468
Website: www.nouum.com

Europe

ROG Ship Repair B.V.

Drutenstraat 7, 3087 CC
Rotterdam, Holland
Tel: +31 (0) 10-4737400
Website: www.ship.repair

Ships' Accommodation Solutions Ltd

PO Box 19554, Inverkip, PA15 9AF
Scotland UK
Tel: +44 (0)1475 520551
Website: www.sasgp.com

South America

Brasil OGBI-BBI-Oil & Gas Business Intelligence.

Rio de Janeiro, RJ, Brazil
Tel: +55 (21) 3391-6045

Asia

N & P Maritime (S.E.A) Pte Ltd

740 Bedok Reservoir Road, #01-3171,
Singapore 470740
Tel: +65 68718830



DONGZHOU

游轮游艇产品

CRUISE PRODUCTS



无锡市东舟船舶设备股份有限公司 WUXI DONGZHOU MARINE EQUIPMENT CO., LTD.

地址：江苏省无锡市锡山区东北塘镇农石路 22 号
Add: No.22 Nongshi Road, Dongbeitang Town,
Wuxi City, Jiangsu Province

邮编 (P.C): 214191

邮箱 (E-mail): wuxidongzhou@126.com

网址 (Website): www.chuanpo.com

Fax: 0510-83771228

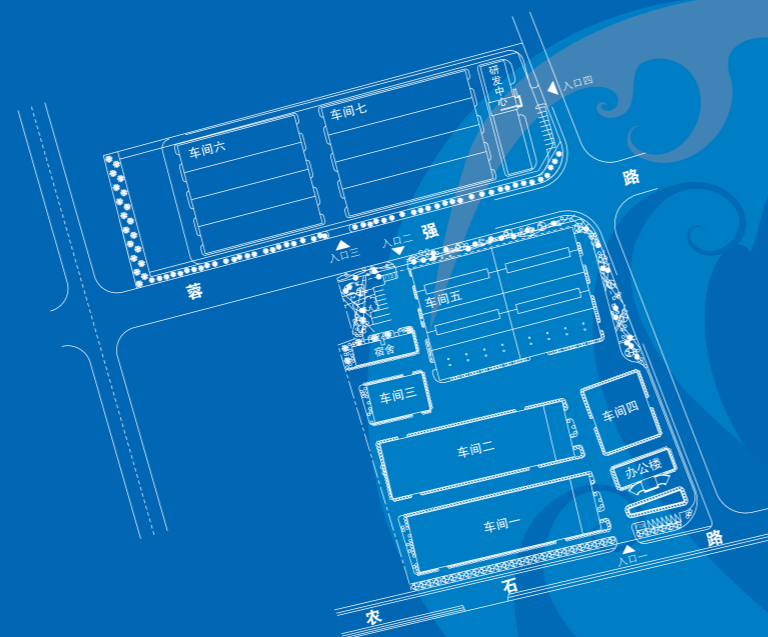
Tel: 0510-83778700 83775873 (总机) 0510-83777298 (营销部)

上海办事处: Shanghai Office

地址：上海市崇明区长兴镇潘圆公路 1800 号 3 号楼
No.3 Building, No.1800 Panyuan Road, Changxing Town,
Chongming District, Shanghai
电话：021-59498918 13771007261

广州办事处: Guangzhou Office

地址：广东省广州市番禺区大龙街道金龙城四号楼 1703
Room 1703, Building No.4, Jinlongcheng, Dalong Street,
Panyu District, Guangzhou City, Guangdong Province
电话：13861759680 15961882262



无锡市东舟船舶设备股份有限公司
WUXI DONGZHOU MARINE EQUIPMENT CO., LTD.



目录 Content

企业简介

Introduction 1

企业资质

Qualification.....3

主要设备

Equipment.....6

门 Door

(A60) 单扇 (双扇) 水密 / 气密钢质门 (舷侧内开)

(A60) Single(Double) Watertight/Gastight Steel Door (Side in opening)... 11

(A60) 单扇 (双扇) 钢质门

(A60) Single(Double) Steel Door 12

(A60) 级风雨密气密单扇 (双扇) 防火门

(A60) Weathertight&Gastight Single(Double) Fireproof Door..... 13

(A60) 单扇 (双扇) 铝质防火门

(A60) Single(Double) Aluminum Fireproof Door..... 14

(A60) 电动 / 气动移门

(A60) Electric/Pneumatic Sliding Door..... 15

(A60) 船用液压滑动式水密门 (三代门)

(A60) Hydraulic Watertight Sliding Door (3rd generation)..... 16

(A60) 船用滑动 (电动) 式水密门

(A60) Hydraulic Watertight Sliding (Electric) Door..... 17

液压风雨密艏门

Hydraulic Weathertight Bow Door 18

窗 Window

(A0) 幕墙玻璃窗

(A0) Curtain Wall Window 19

(A0/A60) 组合矩形窗

(A0/A60) Combination Window.....20

(A0) 游船观光圆窗

(A0) Boat Tour Round Window.....21

游船观光天窗

Skylight for sightseeing22

变色玻璃窗

Smart Glass Window23

(A0/A60/H120) 高隔音防火 (防爆) 窗

(A0/A60/H120) Soundproof(explosion-proof) Window24

盖 Cover

(A60) 舱口盖

(A60) Fireproof Hatch Cover25

梯 Ladder

液压伸缩式舷梯

Hydraulic telescopic boarding ladder26

减摇装置 Fin Stabilizer

可收放式减摇鳍

Retractable Fin Stabilizer27

全航速减摇鳍装置

Full Speed Fin Stabilizer.....28

固定式减摇鳍装置

Fixed Fin Stabilizer.....28

减摇水舱装置

Anti-rolling Water Tank.....28



企业简介

Introduction

无锡市东舟船舶设备股份有限公司（股票代码 839012）。公司创建于 1995 年，占地面积 6.34 万平方米，建筑面积 5.2 万平方米，注册资本 5018 万元，员工 200 多人。公司于 1998 年首次通过了 CCS 的 ISO9001 质量体系认证和 ISO14001:2016 环境管理体系认证；2008 年至今被认定为江苏省高新技术企业，2010 年被认定为江苏省创新型企业；2015 年被评为省科技民营企业，取得省著名商标称号，多年来被评为 AAA 信用等级企业。具有三级保密单位和装备承制资格单位资质。

无锡市东舟船舶设备股份有限公司长期与中船重工七〇二研究所等科研院所建立技术研发的战略合作关系，科研设施齐全，研发投入大，科技成果显著，迄今为止共获得科技研发成果转化 22 项，拥有发明专利 14 项，实用新型专利 33 项，均已形成规模化生产。近二年来主导编制颁布了两项行业标准及一项国际标准。2014 年公司研发生产的液压铰链式防火水密门在“981 石油钻井平台”项目上获得国家科技进步特等奖，2018 年中国标准创新贡献奖。被认定为江苏省高性能船舶舾装件设计工程技术研究中心及省企业技术中心。

无锡市东舟船舶设备股份有限公司拥有各种大小型先进的数控铣床、镗床、车床、火焰切割机、压机等一百多台加工设备，完善的各种检测试验设备以及一批技术熟练的操作工人队伍。

Wuxi Dongzhou Marine Equipment Co., LTD., (839012). Founded in 1995, the company covers an area of 63400 square meters with building area of 52,000 square meters, registered capital of 50.18 million yuan, nearly 200 employees. The company has passed the ISO9001 quality system certification and ISO14001:2016 environmental management system certification in 1998, which has been recognized as a high-tech enterprise in Jiangsu province since 2008, and was recognized as Jiangsu province innovative enterprise in 2010. It was awarded as the provincial science and technology private enterprise, and won the title of provincial famous trademark, and was awarded AAA credit rating enterprise for many years. It has the qualification of three-level confidential unit and equipment manufacturing qualification unit.

Wuxi Dongzhou Marine Equipment Co., LTD., has long established strategic cooperative relations of technology research and development with CSIC 702 Research Institute and other scientific research institutes, with complete scientific research facilities, large research and development investment and remarkable scientific and technological achievements, the company has obtained 22 scientific and technological research and development achievements transformation, 14 invention patents and 33 utility model patents, all of which have formed large-scale production. In the past two years, I have led the preparation and promulgation of two industry standards and one international standard. In 2014, the hydraulic hinged fireproof watertight door developed and produced by the company won the special award of national science and technology progress in the project of "981 oil drilling platform", China Standard Innovation Contribution Award 2018, and was recognized as the outfitting design engineering technology research center of Jiangsu Province and the provincial enterprise technology center.

Wuxi Dongzhou Marine Equipment Co., LTD., has all kinds of large and small advanced CNC milling machine, boring machine, lathe, flame cutting machine, press and other more than 100 processing equipment, perfect all kinds of testing and testing equipment and a group of skilled operation workers.

企业资质
Qualification



企业资质 Qualification



主要设备 Equipment



C61250×12 重型卧式车床
加工范围：Ø2500mm×12000mm，
可承载 72 吨的工件

CW61160 卧式车床 (3 台)
加工范围：Ø1600mm×5000mm，
可承载 15 吨的工件

C05240C 立式车床 (2 台)
加工范围：最大切削直径 Ø4000mm，
可承载 25 吨的工件



CK61160 数控卧式车床
加工范围：Ø1600mm×8000mm，
可承载 15 吨的工件

TX6113D 数显卧式铣镗床
加工范围：主轴直径 130mm，
可承载 5 吨的工件



TK6916 数控落地铣镗床
加工范围：镗轴直径 160mm，铣轴直径 320mm，带全数控转台和意大利数控平旋盘，可实现七轴五轴联动，可承载 40 吨的加工件。



TX619T 卧式铣床
加工范围：主轴直径 90mm，可承载 2 吨的工件



CK5225B*16/12G-NC 数控双柱立式车床
加工范围：直径 2500mm，可承载 15 吨的工件



CK61600 重型数控卧式车床（加工范围： $\varnothing 1600\text{mm} \times 16000\text{mm}$ ，可承载 80 吨的工件）



XKW2425*60 数控龙门铣床
工作台：2500mm*6000mm，可承载 60 吨的加工件



XK2420-400 数控龙门铣床
工作台：2000mm*4000mm，可承载 30 吨的加工件



XK24125-250 数控龙门铣床 (2 台)
工作台：1500mm*2500mm



DZ-600T 油压机 (加工范围：板厚：6-50mm，板宽：3000mm)



CNCSG-5000 数控等离子火焰切割机 (3台)
加工范围:
跨距 5000mm, 切割宽度 4200mm,
有效行程 12000mm, 切割厚度 6-120mm
切割速度 50-750mm/min



自动埋弧焊架
垂直升降行程: 5000mm
水平伸缩行程: 6000mm
横梁升降速度: 1000mm/min
横梁进给速度: 120-1200mm/min



小五金加工车间 (17台)



MDG32T/5T 龙门吊
跨距: 16.5 米



QC12K6*2500 数控液压摆式剪板机



WC67K-100T/2500 数控液压板料折弯机



液压舵机试验台



减摇鳍装置专用吊具 2x32 吨



减摇鳍试验台架





(A60) 单扇 (双扇) 水密 / 气密钢质门 (舷侧内开)

A60 Single(Double) Watertight/Gastight Steel Door (Side in opening)

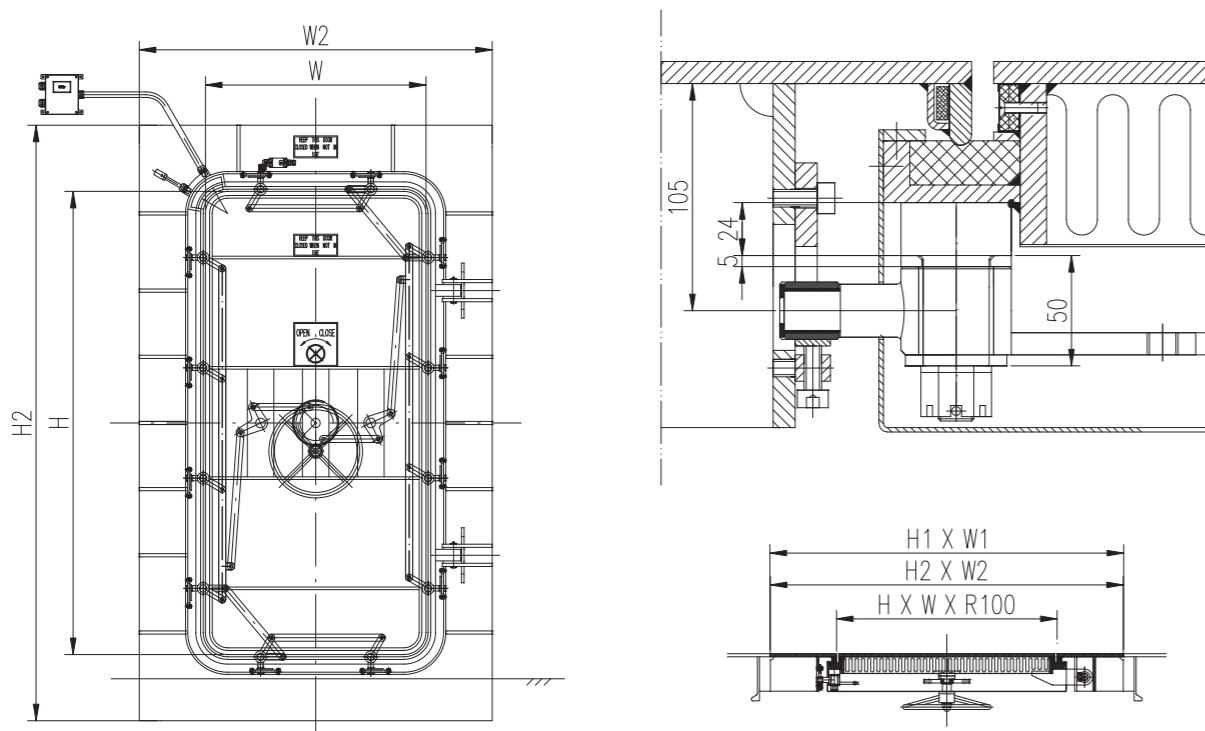
适用于具有 A 级分割要求, 防火等级为 A60 级要求的围壁处所。

该门已通过上海远东防火试验的耐火试验, 试验报告编号为 FT18141、FT18141。

Suitable for accommodations & other marine instructments with A60 fireproof requirement.

Passed the fire tests held by Shanghai Far East Firetesting Center with the test report No. FT18141、FT18141.

262WDF1803(S)



| 序号 No. | 公称尺寸 mm nominal size mm H X W | 围壁开孔尺寸 mm cutout in steel wall mm H1 X W1 | 门框外形尺寸 mm size of frame mm H2 X W2 |
|--------|-------------------------------------|---|--|
| 1 | 600 X 1200 X R100 | 1004 X 814 | 600 X 810 |
| 2 | 600 X 1400 X R100 | 1004 X 734 | 1000 X 730 |
| 3 | 750 X 1400 X R100 | 1104 X 904 | 1100 X 900 |
| 4 | 900 X 1400 X R100 | 1304 X 904 | 1300 X 900 |
| 5 | 600 X 1600 X R100 | 1504 X 904 | 1500 X 900 |
| 6 | 750 X 1600 X R100 | 1704 X 1104 | 1700 X 1100 |
| 7 | 900 X 1600 X R100 | 1904 X 1304 | 1900 X 1300 |
| 8 | 750 X 1800 X R100 | 2004 X 1404 | 2000 X 1400 |
| 9 | 900 X 1800 X R100 | 2004 X 1404 | 2000 X 1400 |
| 10 | 900 X 2000 X R100 | 2004 X 1404 | 2000 X 1400 |
| 11 | 1000 X 2000 X R100 | 2004 X 1404 | 2000 X 1400 |
| 12 | 1400 X 2200 X R100 | 2004 X 1404 | 2000 X 1400 |

标记示例:
通孔尺寸为 900 X 1400 的 A60 级单扇水密 / 气密钢质门
A60 级单扇水密 / 气密钢质门 900 X 1400 262WDF1803

Identification example:
A60 Single Watertight/Gastight Steel Door with 900 X 1400
262WDF1803



(A60) 单扇 (双扇) 钢质门

A60 Single(Double) Steel Door

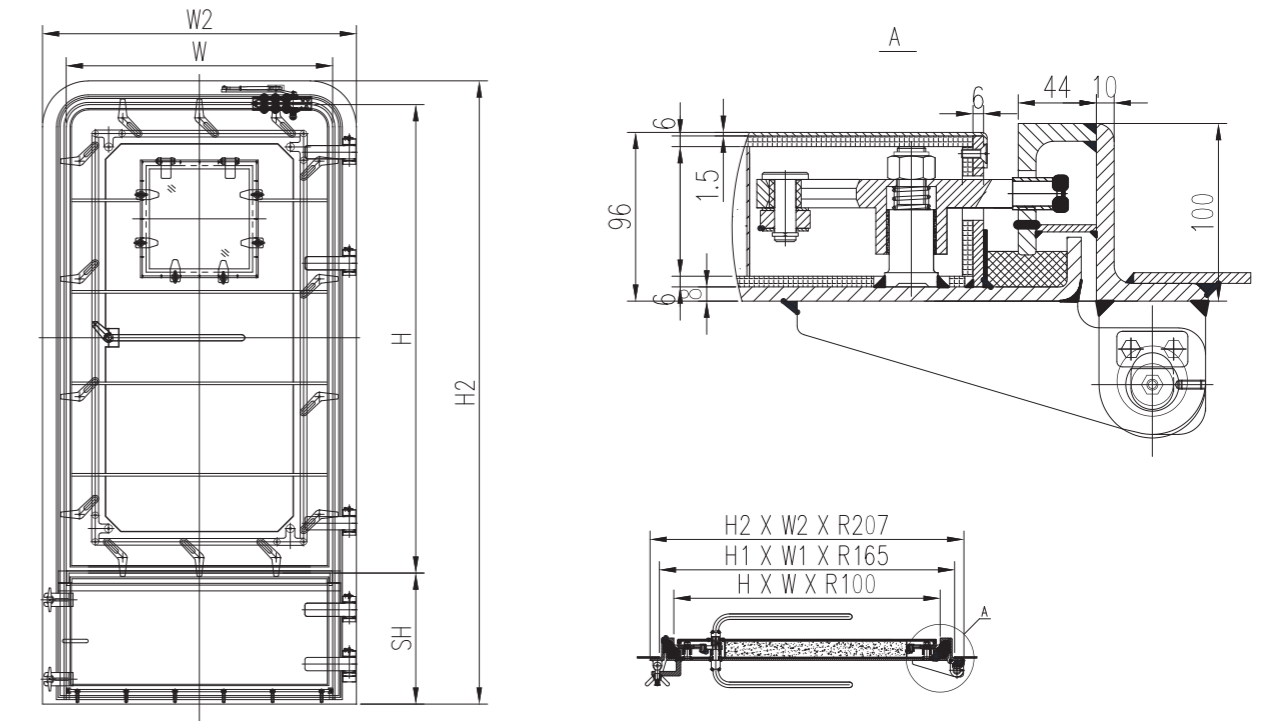
该门带有可拆门槛, 适用于具有 A 级分割要求, 防火等级为 A60 级要求的围壁处所。

该门已通过上海远东防火试验的耐火试验, 试验报告编号为 FT20104、FT20105。

The door has a removable threshold. Suitable for accommodations & other marine instructments with A60 fireproof requirement.

Passed the fire tests held by Shanghai Far East Firetesting Center with the test report No. FT20104、FT20105.

262WDF1905(1904)



注: 压紧器的数量根据门的规格尺寸及水压的大小变化。

NOTE: The quantity of densener will change according to the specification of the door and the size of water pressure.

| 通孔尺寸 Clear Size H X W X R100 | 围壁开孔尺寸 Opening Size In Wall H1 X W1 X R165 | 门框外形尺寸 Door Frame Size H2 X W2 X R207 | 轧扣数量 Toggle clip qty n | 门槛 Sill height SH | 铰链数量 Hinge qty |
|------------------------------------|--|---|------------------------------|-------------------------|--|
| (1400+SH-20)X600 | (1465+SH)X730 | (1507+SH)X814 | 6 | 门槛高度 ≤ 600 | 通孔宽度 < 900 配 2 个铰链 ≥ 900 配 3 个铰链 |
| (1500+SH-20)X600 | (1565+SH)X730 | (1607+SH)X814 | 6 | | |
| (1600+SH-20)X600 | (1665+SH)X730 | (1707+SH)X814 | 6 | | |
| (1700+SH-20)X700 | (1765+SH)X830 | (1807+SH)X914 | 6 | | |
| (1750+SH-20)X750 | (1815+SH)X880 | (1857+SH)X964 | 8 | | |
| (1800+SH-20)X800 | (1865+SH)X930 | (1907+SH)X1014 | 10 | | |
| (1900+SH-20)X900 | (1965+SH)X1030 | (2007+SH)X1114 | 12 | | |
| (2000+SH-20)X1000 | (2065+SH)X1130 | (2107+SH)X1214 | 14 | | |
| (2000+SH-20)X1100 | (2065+SH)X1230 | (2107+SH)X1314 | 14 | | |
| (2100+SH-20)X1200 | (2165+SH)X1330 | (2207+SH)X1414 | 14 | | |

标记示例:
通孔尺寸为 1800 X 800 的 A60 级单扇钢质门
A60 级单扇钢质门 1800 X 800 262WDF1905

Identification example:
A60 Single Steel Door with 900 X 1400
262WDF1905



(A60) 级风雨密气密单扇 (双扇) 防火门

(A60) Weathertight&Gastight Single(Double) Fireproof Door

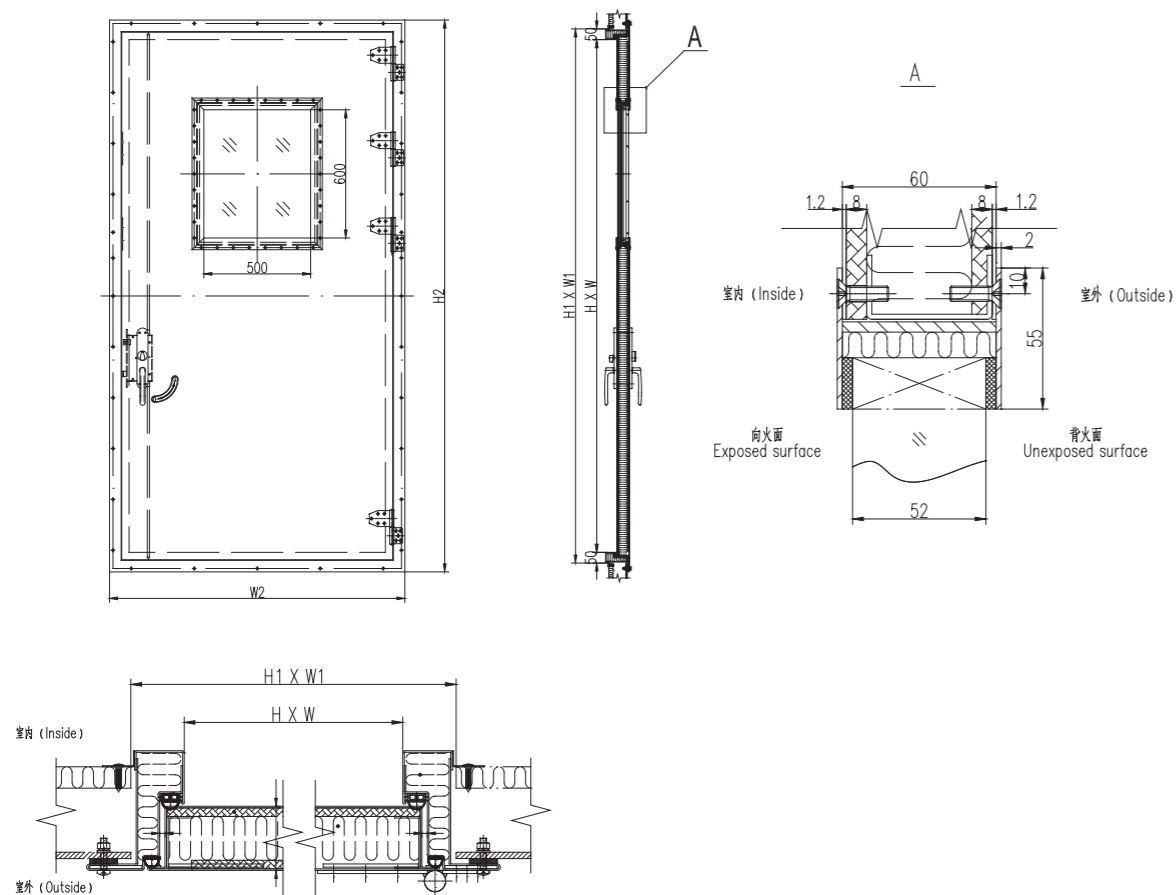
该门带有可拆门槛, 适用于具有 A 级分割要求, 防火等级为 A60 级要求的围壁处所。

该门已通过上海远东防火试验的耐火试验, 试验报告编号为 FT18091、FT18117。

The door has a removable threshold .Suitable for accommodations & other marine instructments with A60 fireproof requirement.

Passed the fire tests held by Shanghai Far East Firetesting Center with the test report No. FT18091、FT18117.

262WDF1802(1801)



| 序号 No. | 公称尺寸 mm nominal size mm H x W | 围壁开孔尺寸 mm cutout in steel wall mm H1 x W1 | 门框外形尺寸 mm size of frame mm H2 x W2 |
|--------|-------------------------------------|---|--|
| 1 | 1600 x 600 | 1700 x 700 | 1783 x 783 |
| 2 | 1700 x 700 | 1800 x 800 | 1883 x 883 |
| 3 | 1800 x 800 | 1900 x 900 | 1983 x 983 |
| 4 | 2200 x 1000 | 2300 x 1100 | 2383 x 1183 |
| 5 | 2400 x 1200 | 2500 x 1300 | 2583 x 1383 |

标记示例:
通孔尺寸为 2400X1200 的 A60 级风雨密气密单扇防火门
A60 级风雨密气密单扇防火门 2400X1200 262WDF1802

Identification example:
A60 Weathertight&Gastight Single Fireproof Door with 2400X1200
262WDF1802



(A60) 单扇 (双扇) 铝质防火门

(A60) Single(Double) Aluminum Fireproof Door

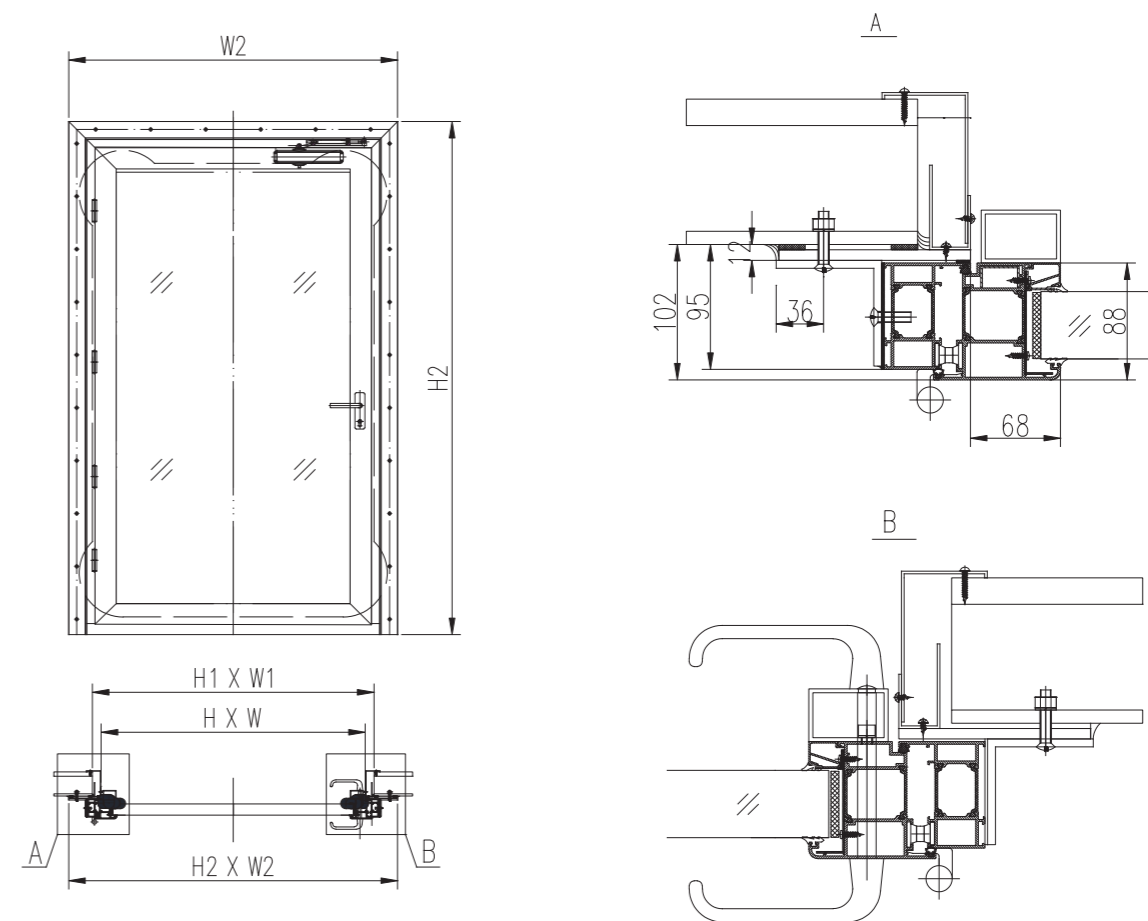
适用于具有 A 级分割要求, 防火等级为 A60 级要求的围壁处所。

该门已通过上海远东防火试验的耐火试验, 试验报告编号为 FT20121、FT20122。

Suitable for accommodations & other marine instructments with A60 fireproof requirement.

Passed the fire tests held by Shanghai Far East Firetesting Center with the test report No. FT20121、FT20122.

262WDF1909(S)



| 序号 No. | 公称尺寸 mm nominal size mm H X W | 围壁开孔尺寸 mm cutout in steel wall mm H1 X W1 | 门框外形尺寸 mm size of frame mm H2 X W2 |
|--------|-------------------------------------|---|--|
| 1 | 1200 X 800 | 1280 X 880 | 1570 X 1094 |
| 2 | 1400 X 1000 | 1480 X 1080 | 1770 X 1294 |
| 3 | 1600 X 1000 | 1680 X 1080 | 1970 X 1294 |
| 4 | 1900 X 1200 | 1980 X 1280 | 2270 X 1494 |
| 5 | 2000 X 1200 | 2080 X 1280 | 2370 X 1494 |
| 6 | 2100 X 1200 | 2180 X 1280 | 2470 X 1494 |

标记示例:
通孔尺寸为 2100 X 1200 的 A60 级单扇铝质防火门
A60 级单扇铝质防火门 2100 X 1200 262WDF1909

Identification example:
A60 Aluminum Fireproof Door with 2100 X 1200
262WDF1909



(A60) 电动 / 气动移门

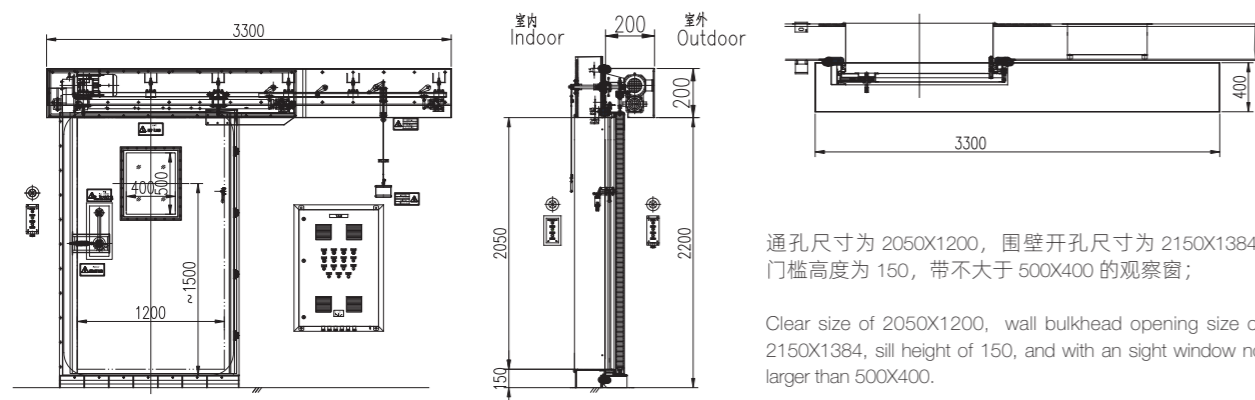
(A60) Electric/Pneumatic Sliding Door

262WDF1601C

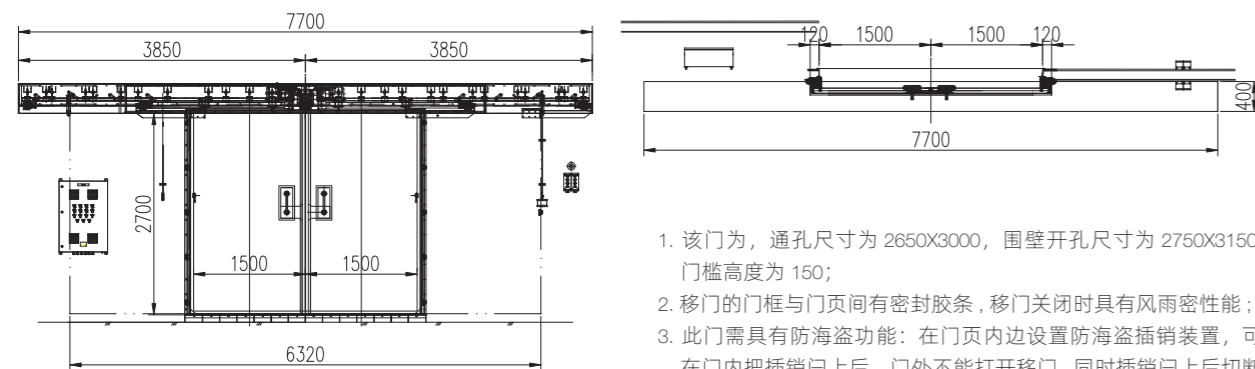
本(A60)电动/气动移门可通过电机、推杆或门机实现开启,应用于具有A级分割要求,防火等级为A60级要求的围壁处所。该门已通过上海远东防火试验的耐火试验,试验报告编号为FT18121。

(A60) Electric/Pneumatic Sliding Door can be opened by motor, air or manpower. Suitable for accommodations & other marine instruments with A60 fireproof requirement.

Passed the fire tests held by Shanghai Far East Firetesting Center with the test report No. FT18121.

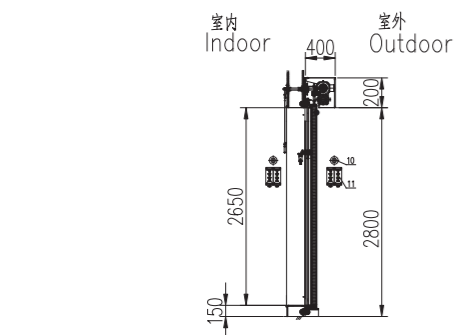


| 序号 No. | 公称尺寸 mm nominal size mm | 围壁开孔尺寸 mm cutout in steel wall mm | 门框外形尺寸 mm size of frame mm |
|--------|----------------------------|--------------------------------------|-------------------------------|
| 1 | 2050 X 1200 | 2150 X 1384 | 1570 X 1460 |



1. 该门为, 通孔尺寸为 2650X3000, 围壁开孔尺寸为 2750X3150, 门槛高度为 150;
2. 移门的门框与门页间有密封胶条, 移门关闭时具有风雨密性能;
3. 此门需具有防海盗功能: 在门页内边设置防海盗插销装置, 可在门内把插销上后, 门外不能打开移门, 同时插销上后切断电源。

1. Clear size of 2650X3000, wall bulkhead opening size of 2750X3150, sill height of 150;
2. There are sealing rubber strip between door frame and door leaf, and it has the weather tightness function when the sliding door closed.
3. This door should have anti-piracy function, the anti-piracy pin devices to be arranged on the inner edge of the door leaf, and latched the door through the pin in the door, the door can not be opened outside the door. Simultaneously cut off the power after latching



| 序号 No. | 公称尺寸 mm nominal size mm | 围壁开孔尺寸 mm cutout in steel wall mm | 门框外形尺寸 mm size of frame mm |
|--------|----------------------------|--------------------------------------|-------------------------------|
| 1 | 2050 X 1200 | 2150 X 1384 | 1570 X 1460 |



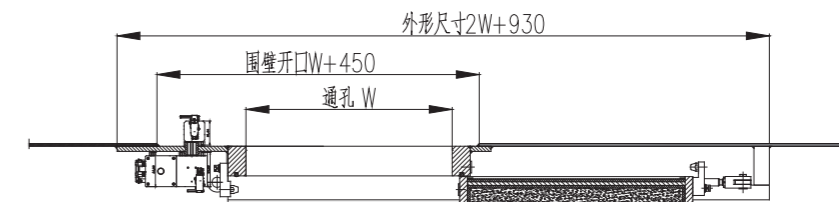
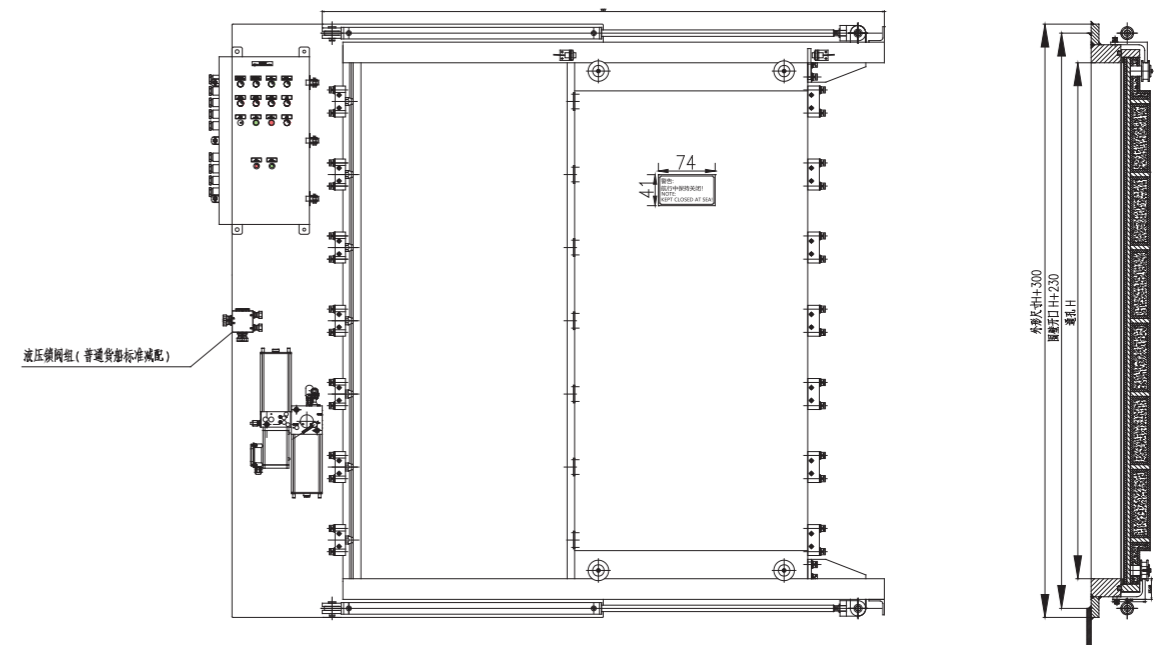
(A60) 船用液压滑动式水密门 (三代门)

(A60) Hydraulic Watertight Sliding Door (3rd generation)

261WDF055C

可根据船厂结构要求, 制造成单油缸形式, 低门槛。

The door type can change in according to the structure on vessel, One cylinder type, Low doorsill type.



| 序号 No. | 通孔尺寸 (clear size) W X H | 外形尺寸 (outline size) (2W+520) X (H+280) | 舱壁开口尺寸 (open in wall) (W+210) X (H+210) | 开向 OPENING DIRECTION |
|--------|-------------------------------|--|---|-------------------------|
| 1 | 500 x 1000 | 1520 x 1280 | 710 x 1210 | 左 L 右 R |
| 2 | 600 x 1200 | 1720 x 1480 | 810 x 1410 | |
| 3 | 700 x 1400 | 1920 x 1680 | 910 x 1610 | |
| 4 | 700 x 1600 | 1920 x 1880 | 910 x 1810 | |
| 5 | 700 x 1800 | 1920 x 2080 | 910 x 2010 | |
| 6 | 800 x 2000 | 2120 x 2280 | 1010 x 2210 | |

标记示例:
通孔尺寸为 700X1400, 右开的船用液压滑动式水密门
船用的液压滑动式水密门 700X1400R 262WDF015B

Identification example:
Hydraulic watertight sliding door with clear size of 700X1400 right opening;
Hydraulic watertight door 700X1400R 262WDF015B



(A60) 船用滑动 (电动) 式水密门

(A60) Watertight Sliding (Electric) Door

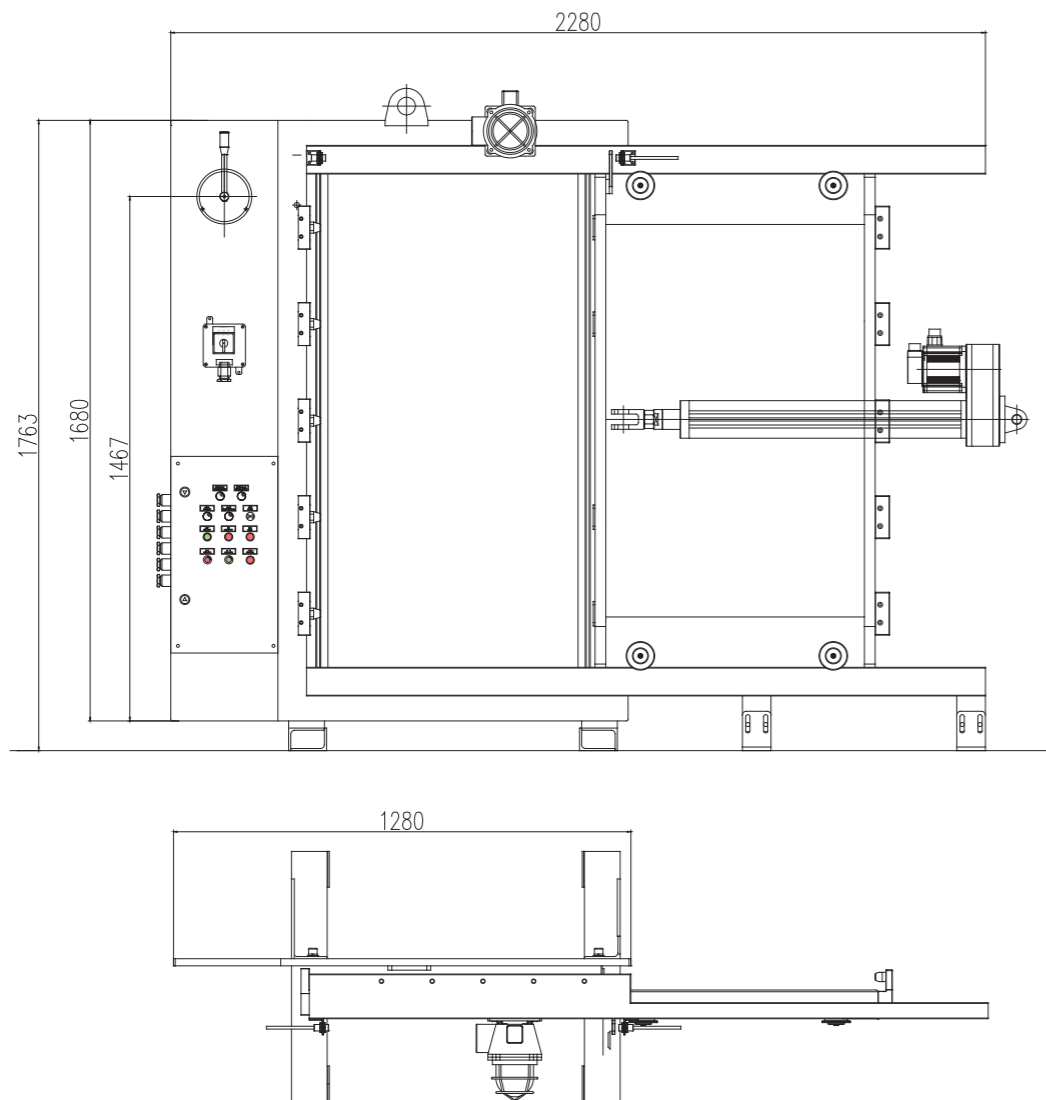
262WDF015D

该门适用于特种船舶机舱通往轴隧和主甲板以下的水平移动的 A60 船用滑动 (电动) 式水密门。

该门已通过上海远东防火试验中心按 IMO FIOC PART3 和 IMO FIOC PART3 的要求进行了标准耐火试验。

It is suitable for the horizontal moving A60 Watertight Sliding (Electric) Door in special ship engine room leading to the shaft tunnel and main deck below.

It had past the fireproofing standard test in shanghai FEFTC,The test is base on the IMO FIOC PART3 and IMO FIOC PART3.



| 序号 No. | 通孔尺寸 (clear size) B X H | 外形尺寸 (outline size) |
|--------|-------------------------------|------------------------|
| 1 | 700 x 1400 | 2280 x 1763 |

标记示例：
通孔尺寸为 700X1400，右开的 A60 船用滑动 (电动) 式水密门
A60 船用滑动 (电动) 式水密门 700X1400 262WDF015D

Identification example :
A60 Watertight Sliding (Electric) Door with clear size of 700X1400 right opening;
A60 Watertight Sliding (Electric) Door 700X1400 262WDF015D



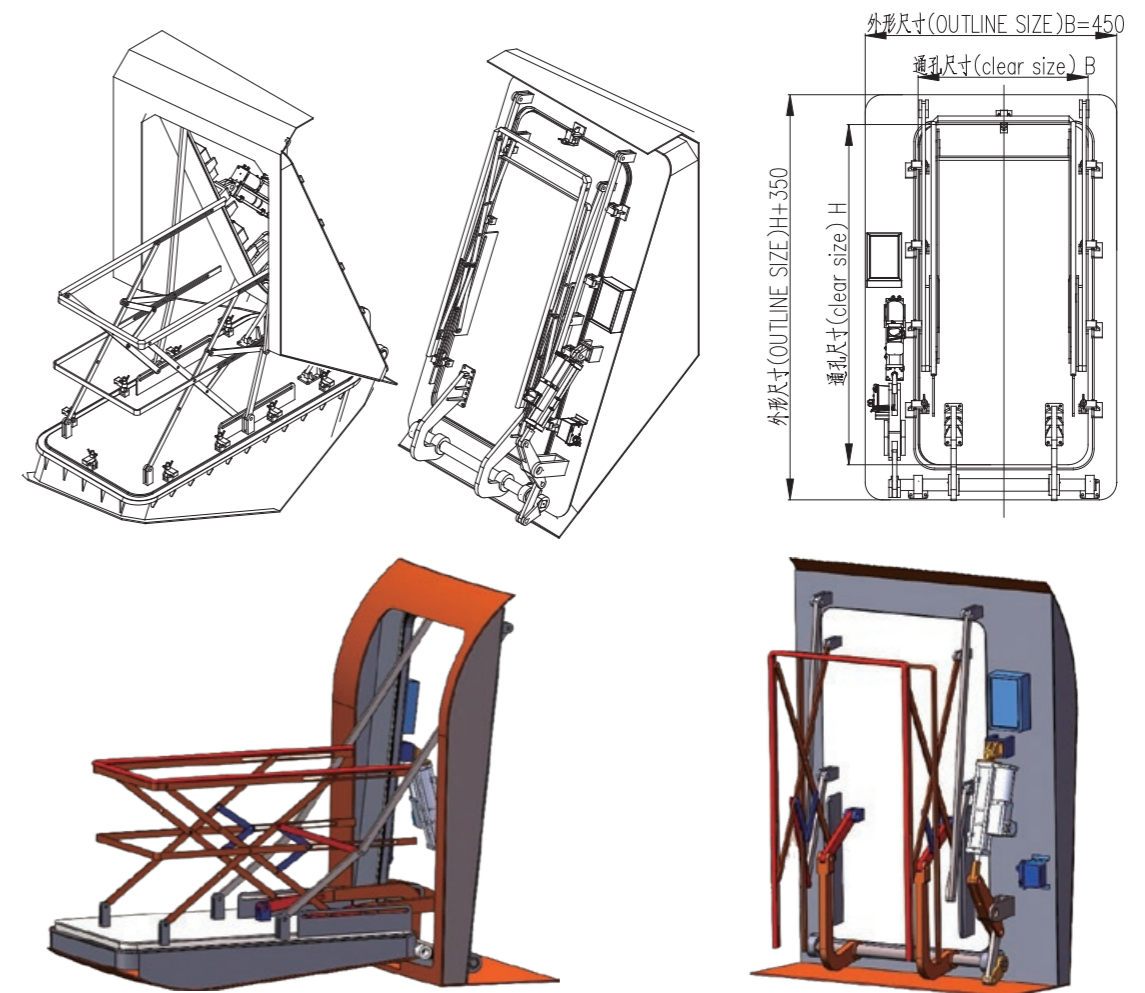
液压风雨密艏门

Hydraulic Weathertight Bow Door

262WDF018A

船用液压风雨密艏门适用于船舶主甲板以下的船艏部位使用。也适用于舷侧等处的部位使用。其性能满足修正的 2004SOLAS 公约。

The marine hydraulic weathertight bow door is suitable for the part of ship bow below the main deck,also for the other part of shipboard,its performance meets the convention of SOLAS 2004 as amended.



| 序号 No. | 通孔尺寸 (clear size) B X H | 外形尺寸 (outline size) (B+450) X (H+350) |
|--------|-------------------------------|---|
| 1 | 1000 x 1800 | 1450 x 2150 |
| 2 | 1000 x 2000 | 1450 x 2350 |
| 3 | 1200 x 1800 | 1650 x 2150 |
| 4 | 1200 x 2000 | 1650 x 2350 |
| 5 | 1400 x 2000 | 1850 x 2350 |

标记示例：
通孔尺寸为 1000X2000，液压风雨密艏门
液压风雨密艏门 262WDF018A

Identification example :
Marine hydraulic weathertight bow door with clear size of 1000X2000,
right opening:
Marine hydraulic weathertight bow door 262WDF018A.



(A0) 幕墙玻璃窗

(A0) Curtain Wall Window

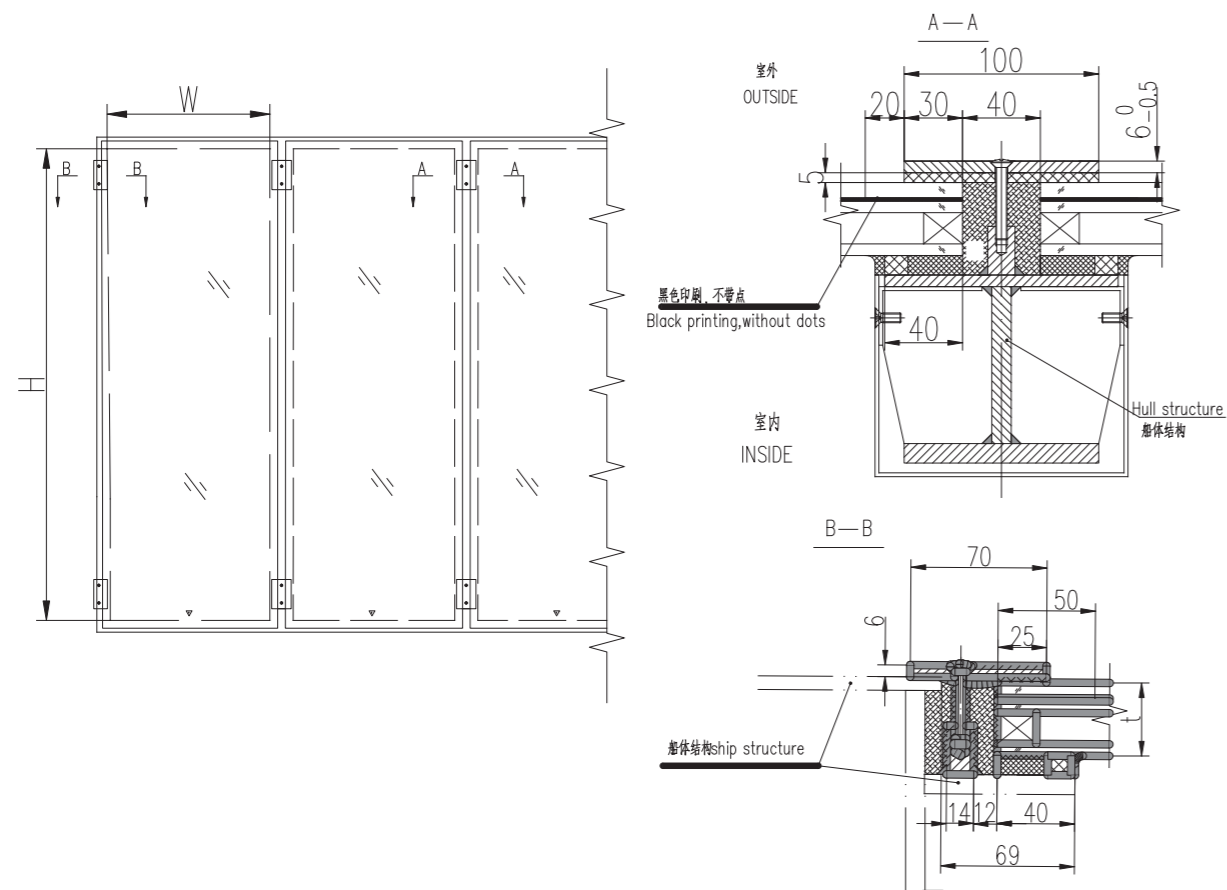
适用于各类船舶及海上建筑物，该窗具有良好、开阔、全景式的视线，注重外观造型的美观性和实用性。

Used for all kinds of ships and marine structures,

The window has a good, open, panoramic view, and pays attention to the beauty and practicality of appearance.

$U \geq 1.0$, Sun factor ≥ 0.3 , and DTL $\geq 67\%$

261WDF027



| 序号 No. | 规格和型号 Specification and type W X H | 围壁开孔尺寸 Cutout on wall W X H | 玻璃外形尺寸 External size of glass (W+50)X(H+50) | Glass thickness t 玻璃厚度 t |
|--------|--|-----------------------------------|---|--|
| 1 | 800 x 1500 | 800 x 1500 | 850 x 1550 | 玻璃厚度可根据最大允许压力调整 Glass thickness can be adjusted according to the maximum allowable pressure |
| 2 | 1000 x 1600 | 1000 x 1600 | 1050 x 1650 | |
| 3 | 1200 x 1700 | 1200 x 1700 | 1250 x 1750 | |
| 4 | 1400 x 1800 | 1400 x 1800 | 1450 x 1850 | |
| 5 | 1500 x 1900 | 1500 x 1900 | 1550 x 1950 | |
| 6 | 1500 x 2000 | 1500 x 2000 | 1550 x 2050 | |

标记示例：
通孔尺寸为 800X1500 的幕墙玻璃窗
幕墙玻璃窗 800X1500 261WDF027

Identification example:
Curtain Wall Glass Window with 800X1500
261WDF027



(A0/A60) 组合矩形窗

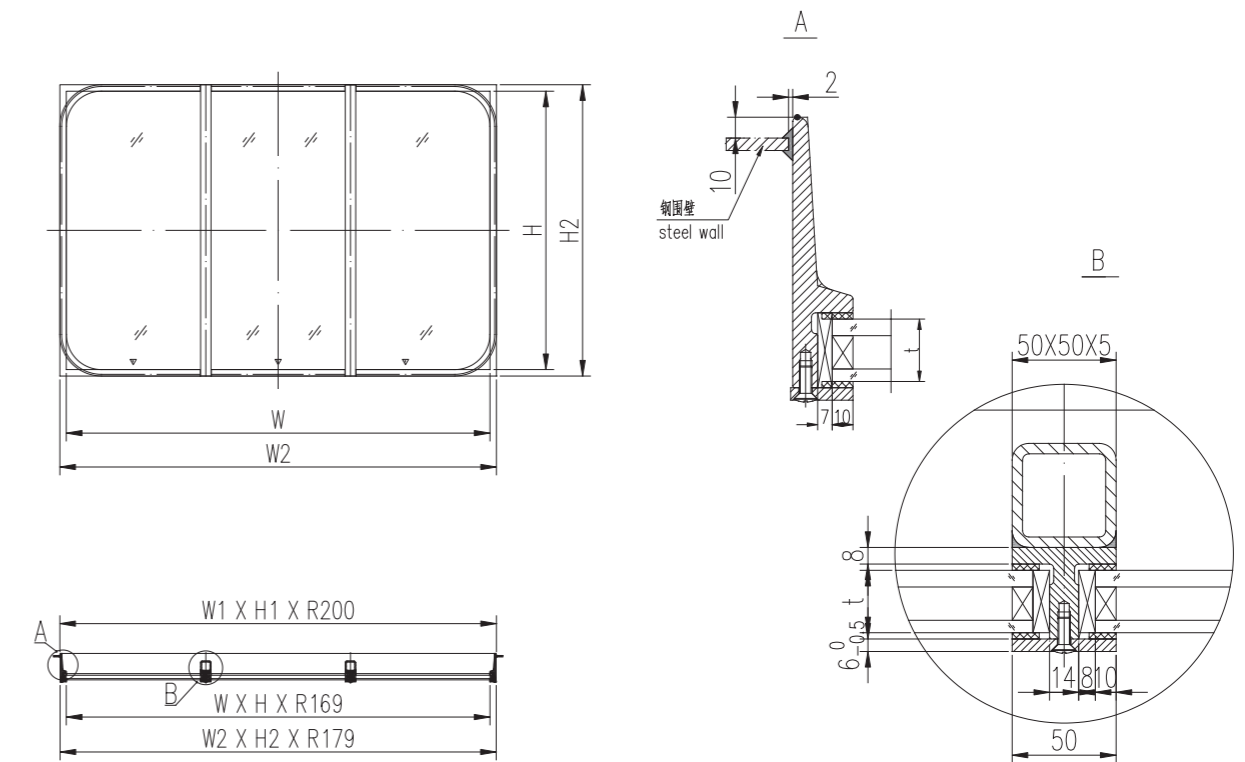
(A0/A60) Combination Window

适用于海洋船舶和游轮所安装的窗，使用整体挤压型材制作。

Used for sea-going ship and cruise ship, made with integral extruded profiles.

$U \geq 1.0$, Sun factor ≥ 0.32 , and DTL $\geq 67\%$

261WDF2009



| 序号 No. | 规格和型号 Specification and type W X H X R | 围壁开孔尺寸 Cutout on wall W1 X H1 X R1 | 玻璃外形尺寸 External size of glass (W+24)X(H+24)X(R+12) | 外形尺寸 Outline size mm W2 X H2 X R2 | Glass thickness t 玻璃厚度 t |
|--------|--|--|--|---|-----------------------------|
| 1 | 1700 x 1400 x R174 | 1752 x 1450 x R200 | 1724 x 1424 x R186 | 1800 x 1500 | 8+16Ar+16A0=40 |
| 2 | 1700 x 1500 x R174 | 1750 x 1552 x R126 | 1724 x 1524 x R186 | 1800 x 1600 | |
| 3 | 1800 x 1500 x R174 | 1852 x 1552 x R126 | 1852 x 1552 x R186 | 1900 x 1600 | |
| 4 | 1900 x 1500 x R174 | 1952 x 1552 x R126 | 1952 x 1552 x R186 | 2000 x 1600 | |
| 5 | 2000 x 1600 x R174 | 2052 x 1652 x R126 | 2052 x 1652 x R186 | 2100 x 1700 | |
| 6 | 2100 x 1700 x R174 | 2152 x 1752 x R126 | 2152 x 1752 x R186 | 2200 x 1800 | |

标记示例：
通孔尺寸为 2100X1700 的组合矩形窗
组合矩形窗 2100X1700 261WDF2009

Identification example:
Combination Window with 2100X1700
261WDF2009



(A0) 游船观光圆窗

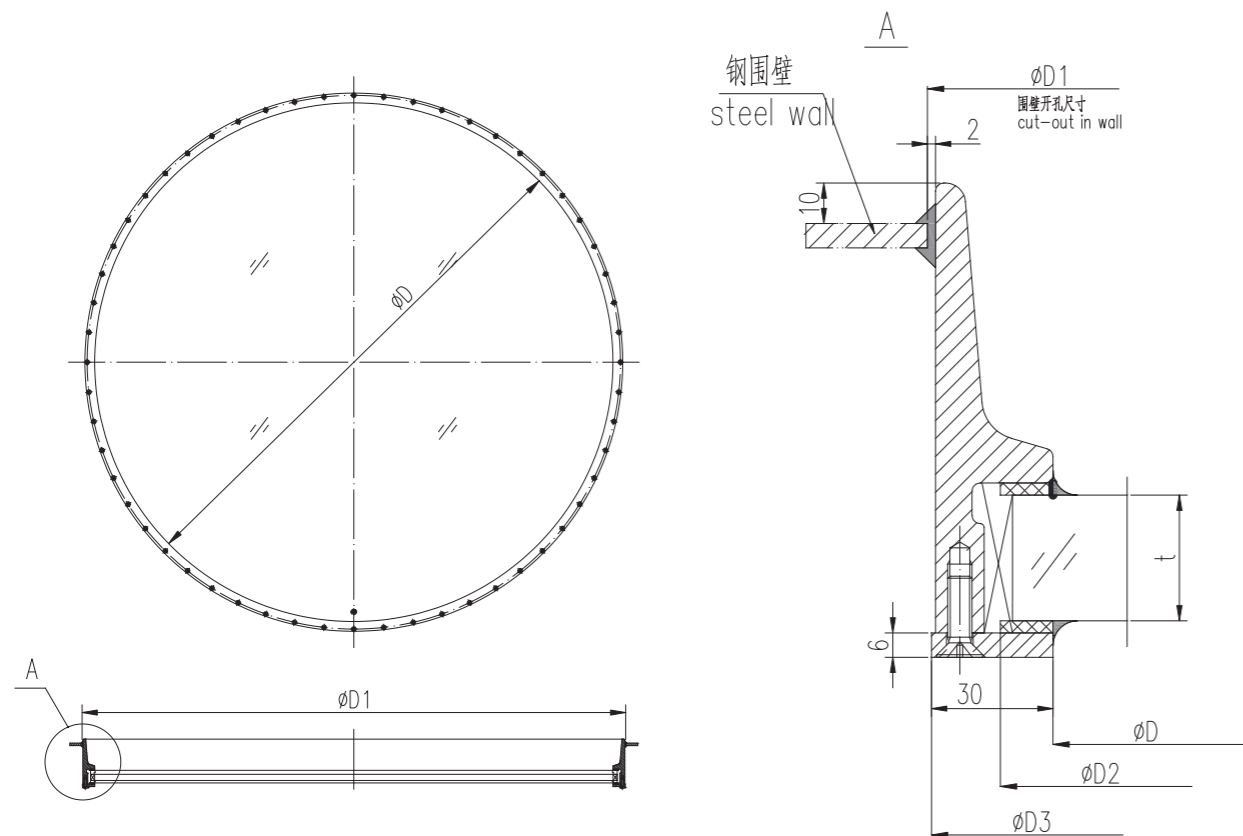
(A0) Boat Tour Round Window

适用于海洋船舶和游轮所安装的圆窗。

Used for sea-going ship and cruise ship.

$U \geq 1.0$, Sun factor ≥ 0.28 , and DTL $\geq 60\%$

261WDF2008



| 序号 No. | 规格和型号 Specification and type ØD | 围壁开孔尺寸 Cutout on wall ØD1 | 玻璃外形尺寸 External size of glass ØD2 | 外形尺寸 Outline size mm ØD3 | Glass thickness t 玻璃厚度 t |
|--------|---------------------------------|---------------------------|-----------------------------------|--------------------------|--|
| 1 | Ø1000 | Ø1062 | Ø1020 | Ø1060 | 玻璃厚度可根据最大允许压力调整 Glass thickness can be adjusted according to the maximum allowable pressure |
| 2 | Ø1200 | Ø1262 | Ø1220 | Ø1260 | |
| 3 | Ø1300 | Ø1362 | Ø1320 | Ø1360 | |
| 4 | Ø1400 | Ø1462 | Ø1420 | Ø1460 | |
| 5 | Ø1500 | Ø1562 | Ø1520 | Ø1560 | |
| 6 | Ø1600 | Ø1662 | Ø1620 | Ø1660 | |

标记示例：
通孔尺寸为 Ø450 的游船观光圆窗
游船观光圆窗 Ø1600 261WDF2008

Identification example:
Boat Tour Round Window with Ø1600 261WDF2008



游船观光天窗

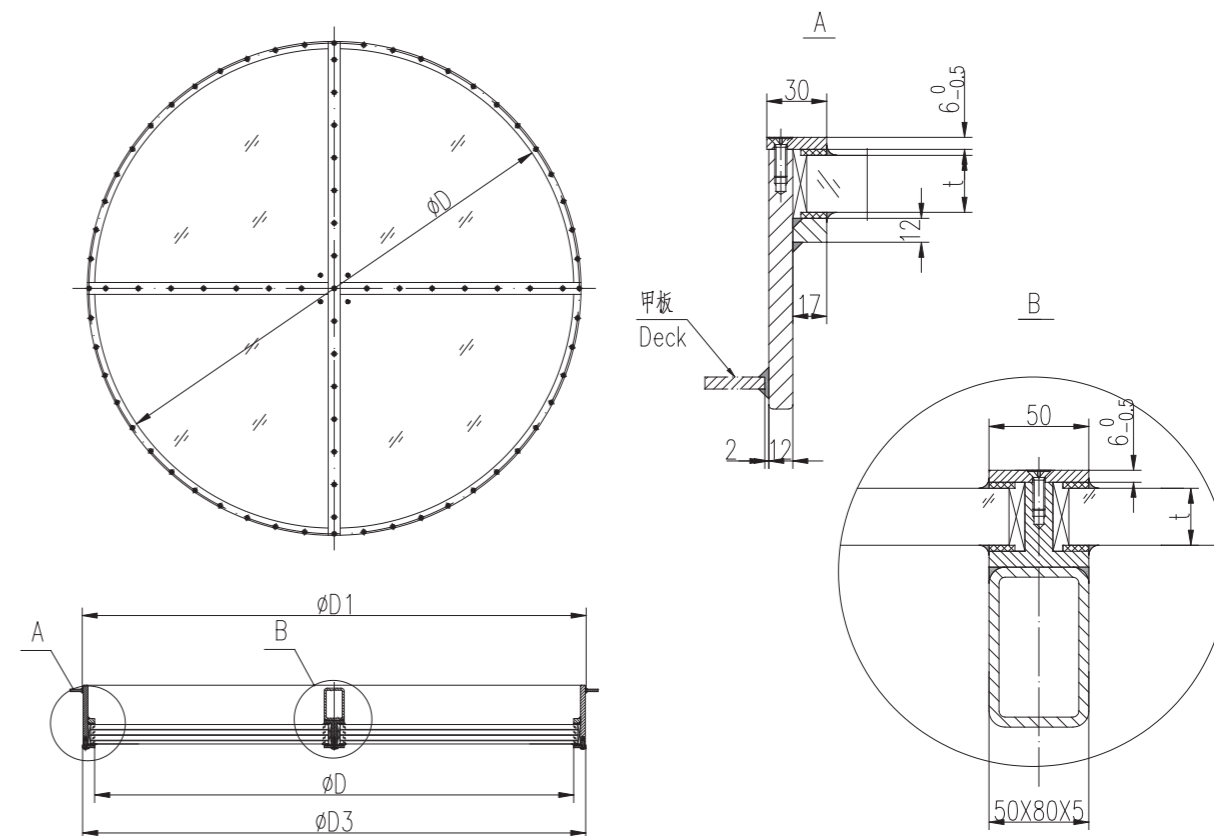
Skylight for sightseeing

适用于海洋船舶和游轮所安装的圆窗。

Used for sea-going ship and cruise ship.

$U \geq 1.0$, Sun factor ≥ 0.28 , and DTL $\geq 60\%$

261WDF014



| 序号 No. | 规格和型号 Specification and type ØD | 围壁开孔尺寸 Cutout on wall ØD1 | 玻璃外形尺寸 External size of glass ØD2 | 外形尺寸 Outline size mm ØD3 | Glass thickness t 玻璃厚度 t |
|--------|---------------------------------|---------------------------|-----------------------------------|--------------------------|--|
| 1 | Ø1500 | Ø1562 | Ø1520 | Ø1560 | 玻璃厚度可根据最大允许压力调整 Glass thickness can be adjusted according to the maximum allowable pressure |
| 2 | Ø1600 | Ø1662 | Ø1620 | Ø1660 | |
| 3 | Ø1700 | Ø1762 | Ø1720 | Ø1760 | |
| 4 | Ø1800 | Ø1862 | Ø1820 | Ø1860 | |
| 5 | Ø1900 | Ø1962 | Ø1920 | Ø1960 | |
| 6 | Ø2000 | Ø2062 | Ø2020 | Ø2060 | |

标记示例：
通孔尺寸为 Ø450 的游船观光天窗
游船观光天窗 Ø2000 261WDF014-00

Identification example:
Skylight for sightseeing with Ø2000 261WDF014-00



变色玻璃窗

Smart Glass Window

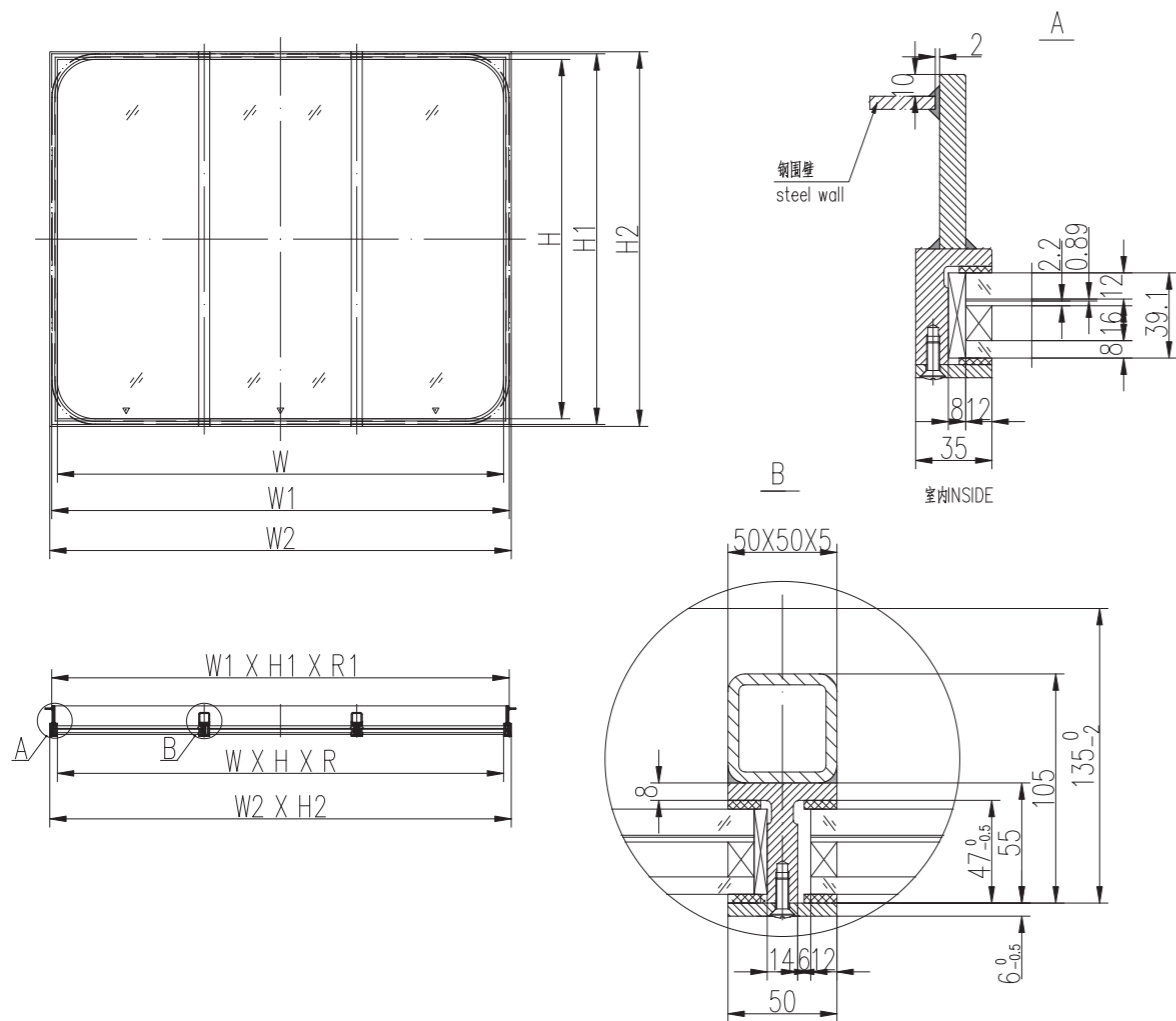
适用于船舶干舷甲板以上的上层建筑及甲板室的窗，可以通过电源控制来实现玻璃的变色。

Used for the window of superstructure above freeboard deck and deck house,

The color change of the glass can be realized through the power supply control.

$U \geq 1.0$, Sun factor $\geq 0.09-0.41$, and DTL $\geq 1-60\%$

261WDF028



| 序号 No. | 规格和型号 Specification and type W X H X R | 围壁开孔尺寸 Cutout on wall W1 X H1 X R1 | 玻璃外形尺寸 External size of glass (W+24)X(H+24)X(R+12) | 外形尺寸 Outline size mm W2 X H2 X R2 | Glass thickness t 玻璃厚度 t |
|--------|--|--|--|---|-------------------------------------|
| 1 | 1700 x 1400 x R174 | 1752 x 1450 x R200 | 1724 x 1424 x R186 | 1800 x 1500 | 12+0.89SGP+2.2+ 16Ar+8LOW-E=39.1 |
| 2 | 1700 x 1500 x R174 | 1750 x 1552 x R126 | 1724 x 1524 x R186 | 1800 x 1600 | |
| 3 | 1800 x 1500 x R174 | 1852 x 1552 x R126 | 1852 x 1552 x R186 | 1900 x 1600 | |
| 4 | 1900 x 1500 x R174 | 1952 x 1552 x R126 | 1952 x 1552 x R186 | 2000 x 1600 | |
| 5 | 2000 x 1600 x R174 | 2052 x 1652 x R126 | 2052 x 1652 x R186 | 2100 x 1700 | |
| 6 | 2100 x 1700 x R174 | 2152 x 1752 x R126 | 2152 x 1752 x R186 | 2200 x 1800 | |

标记示例：
穿孔尺寸为 2100X1700 的变色玻璃窗
变色玻璃窗 2100X1700 261WDF028

Identification example:
Public Space Smart Glass Window with 2100X1700
261WDF028



(A0/A60/H120) 高隔音防火 (防爆) 窗

(A0/A60/H120) Soundproof(explosion-proof) Window

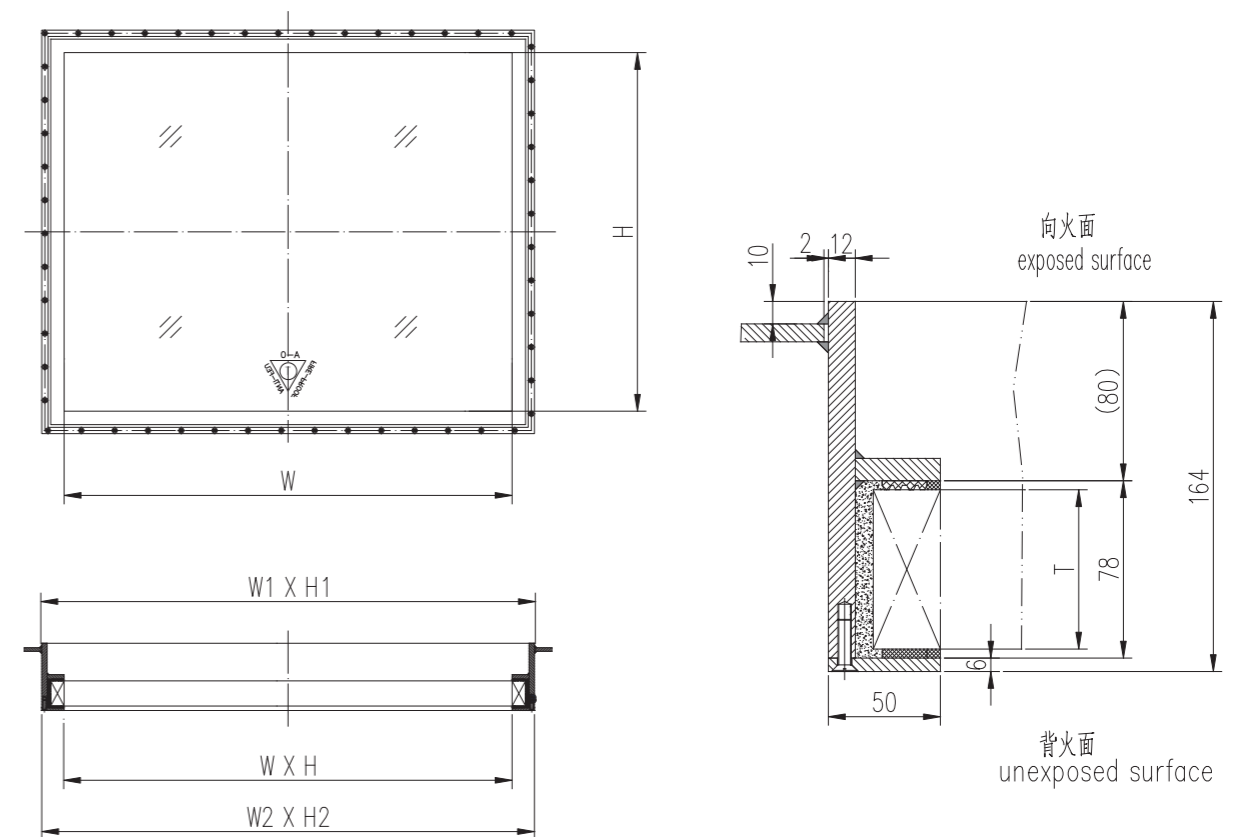
261WDF091-00

本 A0 级隔音防火窗用于具有 A 级分割要求，防火等级为 A0 级要求的围壁处所。

该窗已通过上海远东防火试验的耐火试验，试验报告编号为 FT14395，702 所防爆报告。

Suitable for accommodations with A class division and A0 fire rating requirements.

Passed the fire tests held by Shanghai Far Firetesting Center with the test report No. FT 14395, Explosion proof report of 702 institute



A0 级隔音防火窗规格尺寸表

Specification for A0 soundproof window

| 序号 No. | 公称尺寸 mm nominal size mm W X H | 开口尺寸 mm cutout size mm W1 X H1 | 外形尺寸 mm outline size mm W2 X H2 | 玻璃外形尺寸 mm glass outline size mm (W+60)X(H+60) | 玻璃厚度 glass thickness T mm | 隔音性能 Soundproof Performance |
|--------|-------------------------------------|--------------------------------------|---------------------------------------|---|---|-----------------------------------|
| 1 | 500 x 710 | 604 x 814 | 600 x 810 | 560 x 770 | 19+1.52+3+ 12A+3+2.28 +5+9A+6+ 2.28+8=71 | 51dB |
| 2 | 900 x 630 | 1004 x 734 | 1000 x 730 | 960 x 690 | | |
| 3 | 1000 x 800 | 1104 x 904 | 1100 x 900 | 1060 x 860 | | |
| 4 | 1200 x 800 | 1304 x 904 | 1300 x 900 | 1260 x 860 | | |
| 5 | 1400 x 800 | 1504 x 904 | 1500 x 900 | 1460 x 860 | | |
| 6 | 1600 x 1000 | 1704 x 1104 | 1700 x 1100 | 1660 x 1060 | | |
| 7 | 1800 x 1200 | 1904 x 1304 | 1900 x 1300 | 1860 x 1260 | | |
| 8 | 1900 x 1300 | 2004 x 1404 | 2000 x 1400 | 1960 x 1360 | | |

标记示例：
穿孔尺寸为 1000 X 800 的 A0 级隔音防火窗
A0 级隔音防火窗 1000 X 800 261WDF091

Identification example:
A0 Soundproof Window with 1000 X 800 261WDF091



(A60) 舱口盖

(A60) Fireproof Hatch Cover

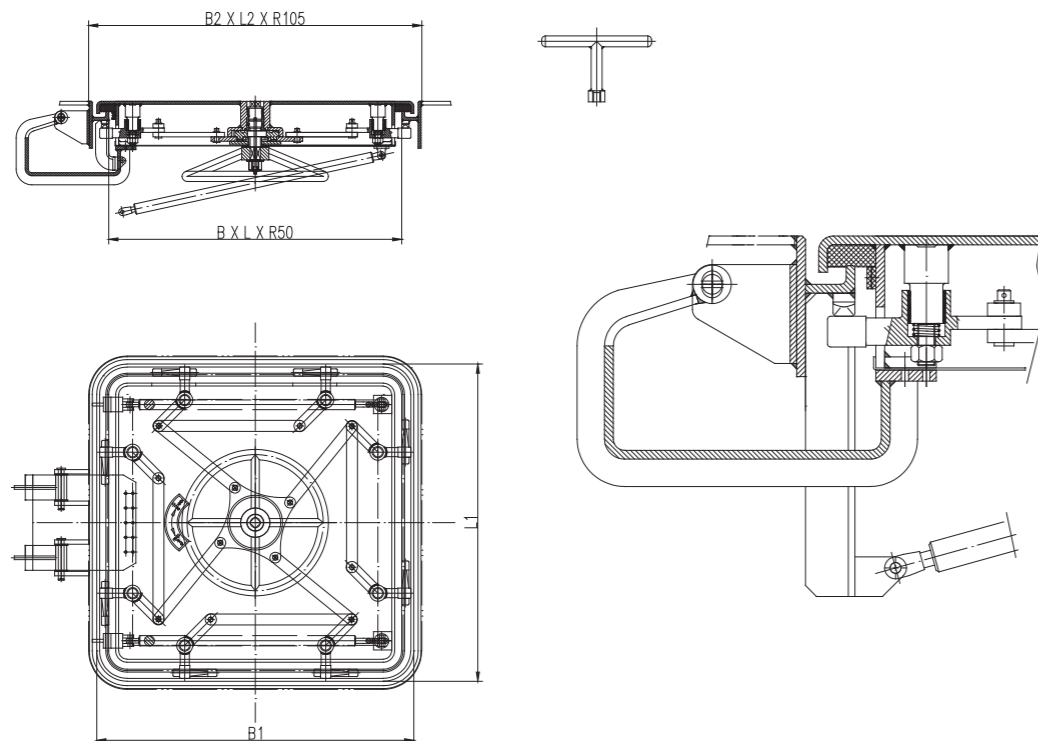
适用于具有 A 级分割要求，防火等级为 A60 级要求的围壁处所。

该窗已通过上海远东防火试验的耐火试验，试验报告编号为 FT17114。

Suitable for accommodations & other marine instruments with A60 fireproof requirement.

Passed the fire tests held by Shanghai Far East Firetesting Center with the test report No. FT17114.

263WDF1610



| 序号 No. | CLEAR SIZE 通孔尺寸 B X L X R50 | CUT OUT ON DECK 甲板开孔尺寸 B2 X L2 X R105 | COVER SIZE 盖板尺寸 B1 X L1 X R83 |
|--------|-----------------------------------|---|-------------------------------------|
| 1 | 600 x 600 | 710 x 710 | 666 x 666 |
| 2 | 700 x 700 | 810 x 810 | 766 x 766 |
| 3 | 800 x 800 | 910 x 910 | 866 x 866 |

标记示例：
通孔尺寸为 800 X 800 的 A60 舱口盖
A60 舱口盖 800 X 800 263WDF1610

Identification example:
A60 Fireproof Hatch Cover with 800 X 800 263WDF1610



液压伸缩式舷梯

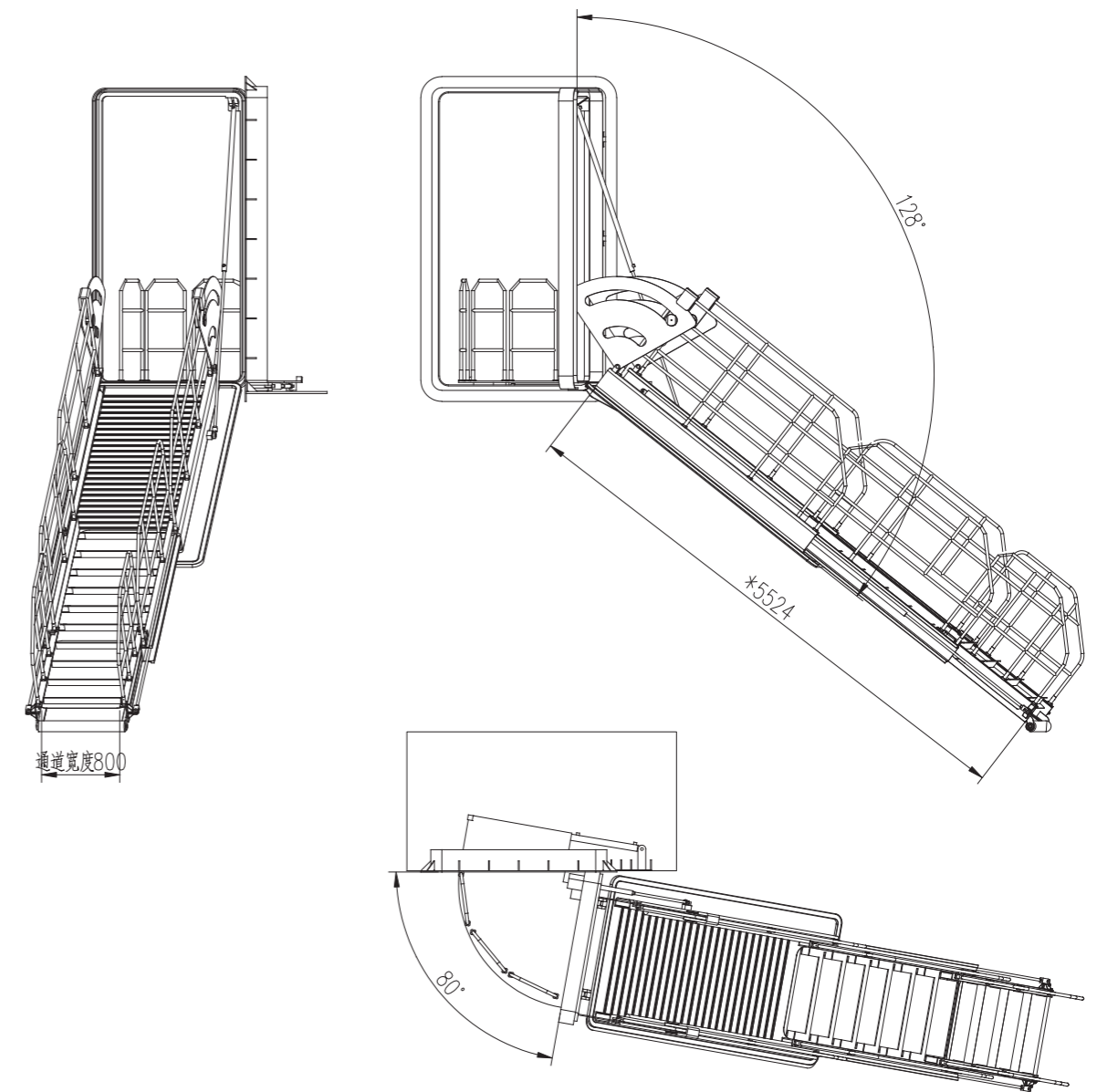
Hydraulic telescopic boarding ladder

适用于游轮科考船等各类大，中型船舶。能实现舷梯的使用高度，长度，倾斜角度的调整和舷梯的自动升降，可带波浪补偿。

Suitable for cruise ships, research ship and other large and medium ship.

It can realize the adjustment of the height, length, inclination angle and automatic lifting of the gangway, with AHC.

263WDF1609



舷梯可伸长 5524mm，旋转角度最大 80°，倾斜角度最大为 128°，通道宽度 800mm

Gangway can extend 5524mm, maximum rotation angle 80°, inclination angle 128°, channel width 800mm.



可收放式减摇鳍

Retractable Fin Stabilizer

可收放式减摇鳍装置由执行机构、鳍箱、鳍、液压控制装置、电控设备等组成。鳍箱安装在船舶左右舷舱部。

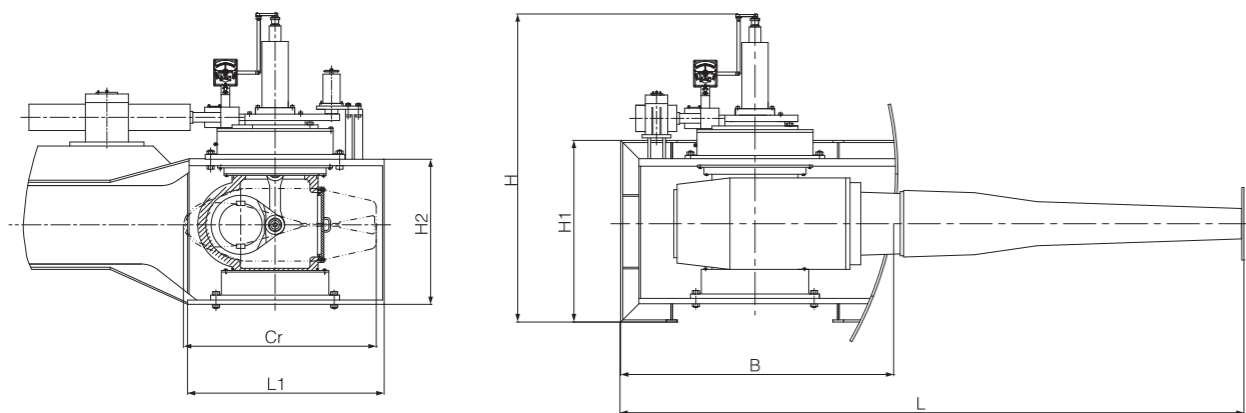
可收放式减摇鳍装置特色

- 鱼尾鳍结构简单，水动力特性好。
- 具有航速、浪级调节能力能够根据船舶航行速度和实时海况进行参数的动态调节，充分发挥系统的控制性能。
- 系统经过转鳍动态加载测试采用被动式加载系统，动态模拟系统受力工况。
- 经过船舶横摇模拟台动态测试采用模拟转台，动态模拟船舶的横摇运动，检验系统减摇能力、减摇效果及系统可靠性。
- 数字化控制达到军方设计标准，可实现复杂控制算法，优化控制算法，提高控制效果。
- 机械液压集成度高该单元采用闭式恒压变量泵，集成了电液比例控制阀。该泵具有结构简单、集成度高、性能优、可维修性好的特点。机械液压装置高度集成化，一次性安装，不需重新装配，方便船厂的整体吊装。

Retractable fin stabilizer is composed of actuator, fin box, fin, hydraulic control device, electric control equipments etc. The fin box to be installed on port / starboard bilge of ship.

Characteristic of retractable fin stabilizer

- Fishtail fin
Simple structure, good hydrodynamic performance. Having the ability to adjust the ship speed & wave scale.
- According to the navigation speed and real-time sea conditions, dynamically adjust the parameter and give full play to the control performance.
- After tilting, dynamically load testing for system. Use the passive loading system, dynamic-simulate the operating conditions of system under stress.
- Dynamically test through the rolling simulated test bed of ship. Adopt the simulated rotary table, dynamic@simulate the rolling movement of ship, check the anti-rolling ability of system, anti-rolling effect and the system reliability.
- Digital control Reach the military design standard, able to achieve the complex control algorithm, optimization control algorithm, to improve the control effect.
- High mechanical hydraulic integration level. This unit uses the constant-voltage variable pump, integrate the electric-hydraulic proportional control valve. This pump has the characteristics of simple structure, high integration level, good performance, easy to maintain. Mechanical hydraulic unit with high integration, to be installed on the first time, do not need to be reassembled, convenient for the integral hoisting of ship.



| 型号 Model | 鳍面积 (m ²) Fin Area | 适用的舰船 排水量 (t) Displacement | 设计海况 / 浪高 (m) Designed Sea Conditions / Wave Height | 功率 (KW) (一对) Power (Couple) | 重量 (t) (一对) Power (Couple) | 外形尺寸 (mm) Outline Dimension | | | | | | |
|-------------|--------------------------------------|----------------------------------|---|---|-------------------------------------|--------------------------------|------|------|------|------|------|------|
| | | | | | | L1 | Cr | H2 | H | H1 | B | L |
| 3.5S-1 | 3.5 | 2000 ~ 3500 | 5/4 | 37 | 42 | 2430 | 1142 | 1185 | 2638 | 1525 | 2050 | 4910 |
| 4.0S-1 | 4.0 | 2000 ~ 3500 | 5/4 | 37 | 45 | 2686 | 1246 | 1185 | 2638 | 1525 | 2015 | 5210 |
| 6.0S-1 | 6.0 | 3500 ~ 5000 | 5/4 | 45 | 50 | 1650 | 1364 | 1340 | 2676 | 1690 | 2300 | 6150 |
| 7.0S-1 | 7.0 | 5000 ~ 6000 | 5/4 | 74 | 58 | 2440 | 1564 | 1360 | 2696 | 1720 | 2340 | 6698 |
| 7.5S-1 | 7.5 | 6000 ~ 8000 | 6/5 | 74 | 60 | 1880 | 1591 | 1360 | 2696 | 1730 | 2400 | 6700 |
| 8.5S-1 | 8.5 | 8000 ~ 14000 | 6/5.5 | 90 | 65 | 1900 | 1790 | 1360 | 2710 | 1730 | 2543 | 6970 |
| 12.0S-1 | 12.0 | 14000 ~ 20000 | 6/5.5 | 110 | 110 | 2507 | 2122 | 2050 | 2710 | 3340 | 2965 | 8188 |
| 16.0S-1 | 16.0 | 20000 ~ 30000 | 6/5.5 | 150 | 130 | 2707 | 2222 | 2050 | 2710 | 3340 | 2965 | 8888 |



全航速减摇鳍装置

Full Speed Fin Stabilizer

具有良好的低航速、零航速减摇能力；
不需要额外的甲板空间或舱室空间，为船舶有效节省了空间；
可以对原有减摇鳍装置进行改造，使其具有低航速、零航速减摇能力；
不影响减摇鳍装置中高航速下的减摇能力；
根据需要可以设计成固定式、收放式，满足多种类型船舶的需求。

Excellent zero-speed anti-rolling ability
No additional deck space or cabin space.
Zero-speed anti-rolling ability added to conventional fin stabilizer by modification of HPU and control system.
No affect anti-rolling ability at high speed.
Fixed or retractable type for various vessels

固定式减摇鳍装置

Fixed Fin Stabilizer

采用阀控式或泵控式液动力系统；
采用良好流体性能特性的梯形鳍；
单鳍面积 1.0 ~ 7.0 平方米；
装置总功率 11 ~ 60kw；
适用于 100 ~ 4000 吨位的舭部尖瘦型的船舶；

Valve control type or pump control HPU
High lift fin
Single fin area: 1.0~7.0 m²
Power: 11~60kw
For vessels: 100~4000T

减摇水舱装置

Anti-rolling Water Tank

具有三种辅助控制方式: 气阀、水阀和气阀 / 水阀复合控制；
拥有自适应调节功能，自动适应船舶周期变化；
系统自动化控制，使用安全、可靠；
减摇效果达 30% ~ 40%；
减摇能力不受船舶航速和航向的影响；
结构简单，安装方便，维护成本低；

Control modes: air valve, water valve, air valve+water valve
Self-adaption function, to compensate the vessel automatically
System automatic control: safe, reliable
Anti-rolling effect: 30%~40%
Anti-rolling capacity no affected to the speed and course
Simple structure, convenient installation and low maintenance cost.

原理结构示意图

